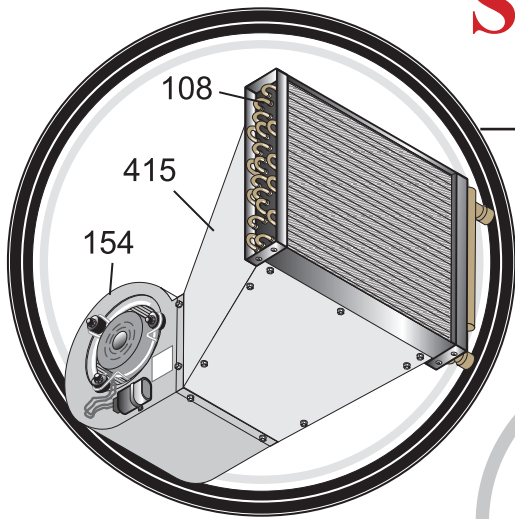
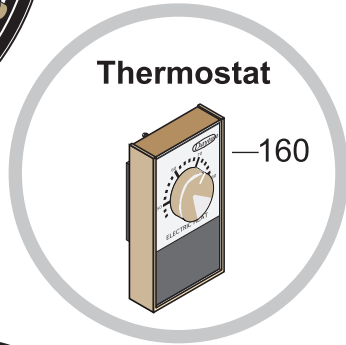


Suspended Space Heaters



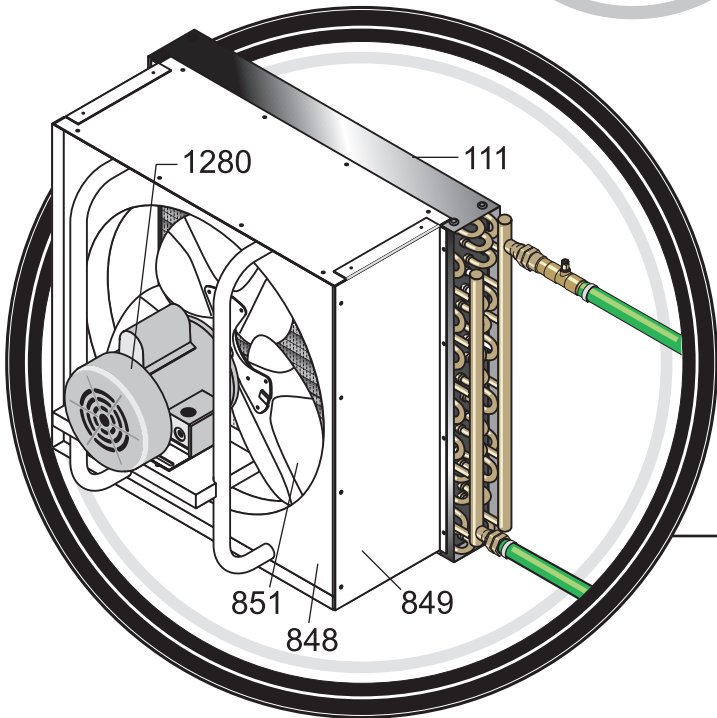
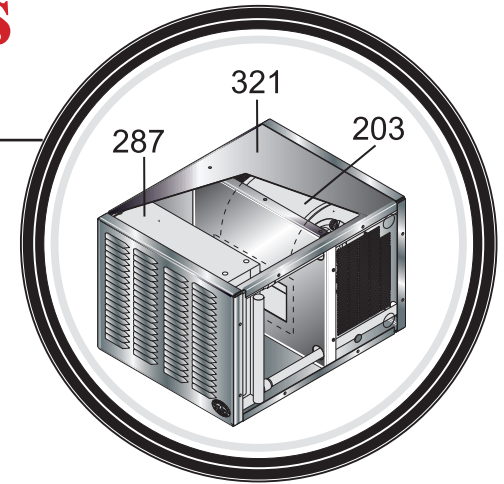
Space Heater		
Qty	p/n	Description
1	108	140k Btu Exchanger Coil
1	154	Blower and Motor
1	160	110-V Thermostat*
1	415	Transition

*Thermostat shown below.



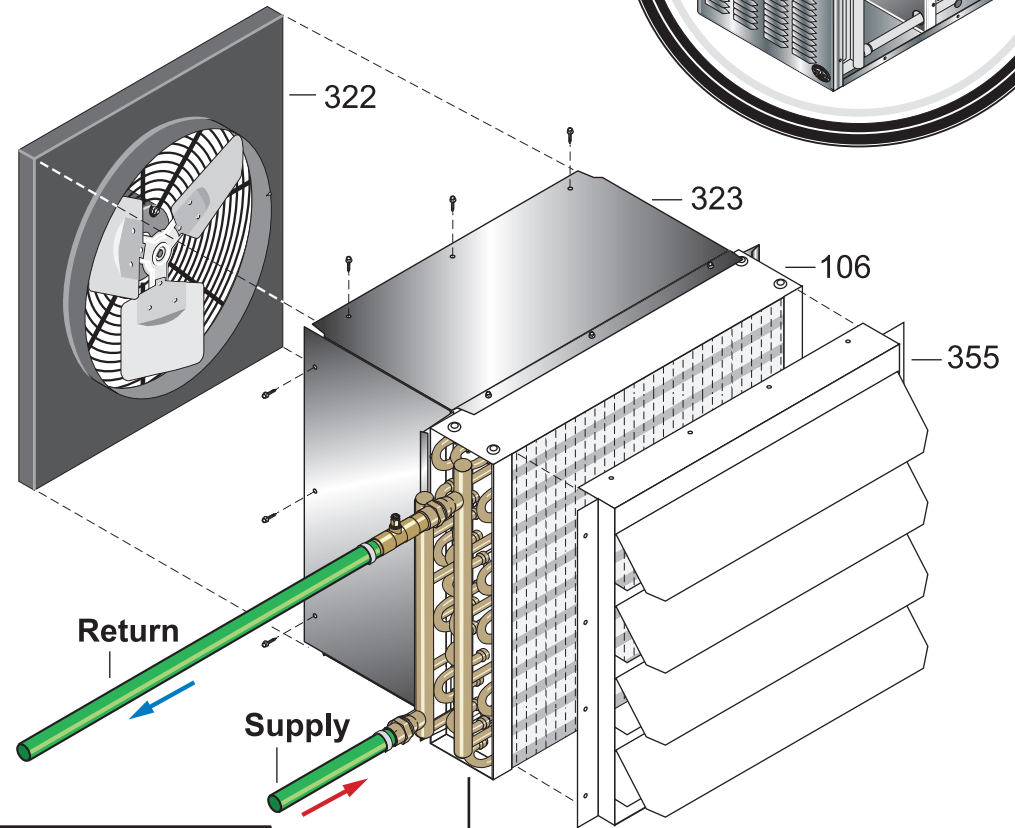
Space Heater Cabinet		
Qty	p/n	Description
1	287	50k Btu Exchanger Coil
1	160	110-V Thermostat*
1	203	Blower and Motor
1	321	Space Heater Cabinet

*Thermostat shown below.



Suspended Space Heater		
Qty	p/n	Description
1	111	220k Btu Exchanger Coil
1	160	110-V Thermostat*
1	848	Motor Frame
1	849	Transition
1	851	Fan Blades
1	1280	Motor

*Thermostat shown above.



Suspended Space Heater		
Qty	p/n	Description
1	106	100k Btu Exchanger Coil
1	160	110-V Thermostat*
1	322	Fan
1	323	Transition
1	355	Louvers

*Thermostat shown above.

