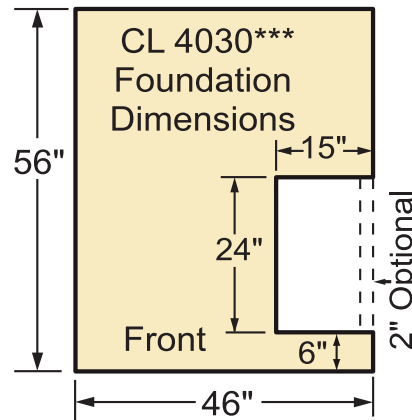
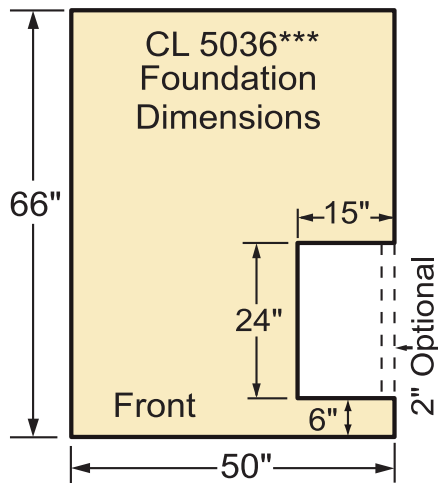
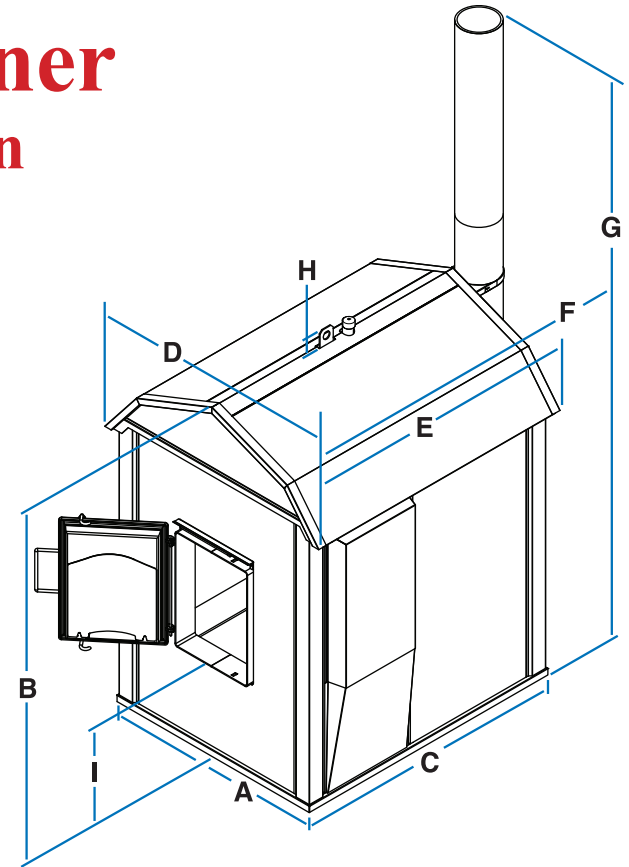
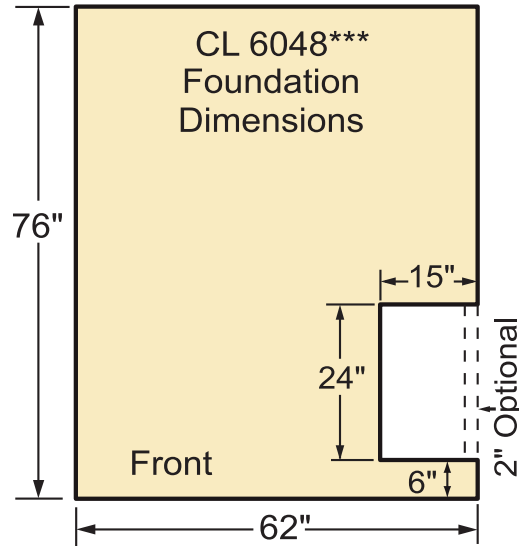
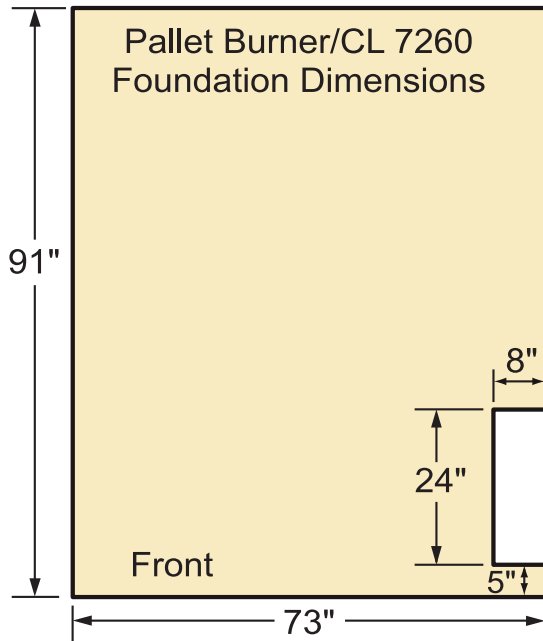


Classic & Pallet Burner Furnace and Foundation Base Dimensions



FURNACE MEASUREMENTS

	A	B	C	D	E	F	G	H	I
CL 4030	43"	70"	53"	49"	53"	66"	144"	3"	24"
CL 5036	47"	79"	63"	51"	64"	76"	151"	3"	24"
CL 6048	59"	93"	73"	65"	74"	86"	163"	3"	24"
CL 7260	70"	93"	88"	78"	89"	104"	260"	4"	10"
Pallet Burner	70"	93"	88"	78"	89"	104"	260"	4"	8"

*Measurement includes two 4 ft. chimney sections.

**Measurement includes three 4 ft. chimney sections.

Outdoor furnace must be installed on a noncombustible surface or foundation that incorporates an enclosure that will prevent supply and return lines from possible exposure to sunlight, fire, or physical damage that may be caused by an occurrence outside the outdoor furnace enclosure. Foundation may consist of concrete, crushed rock, or patio blocks.



***Foundation optional on these models.